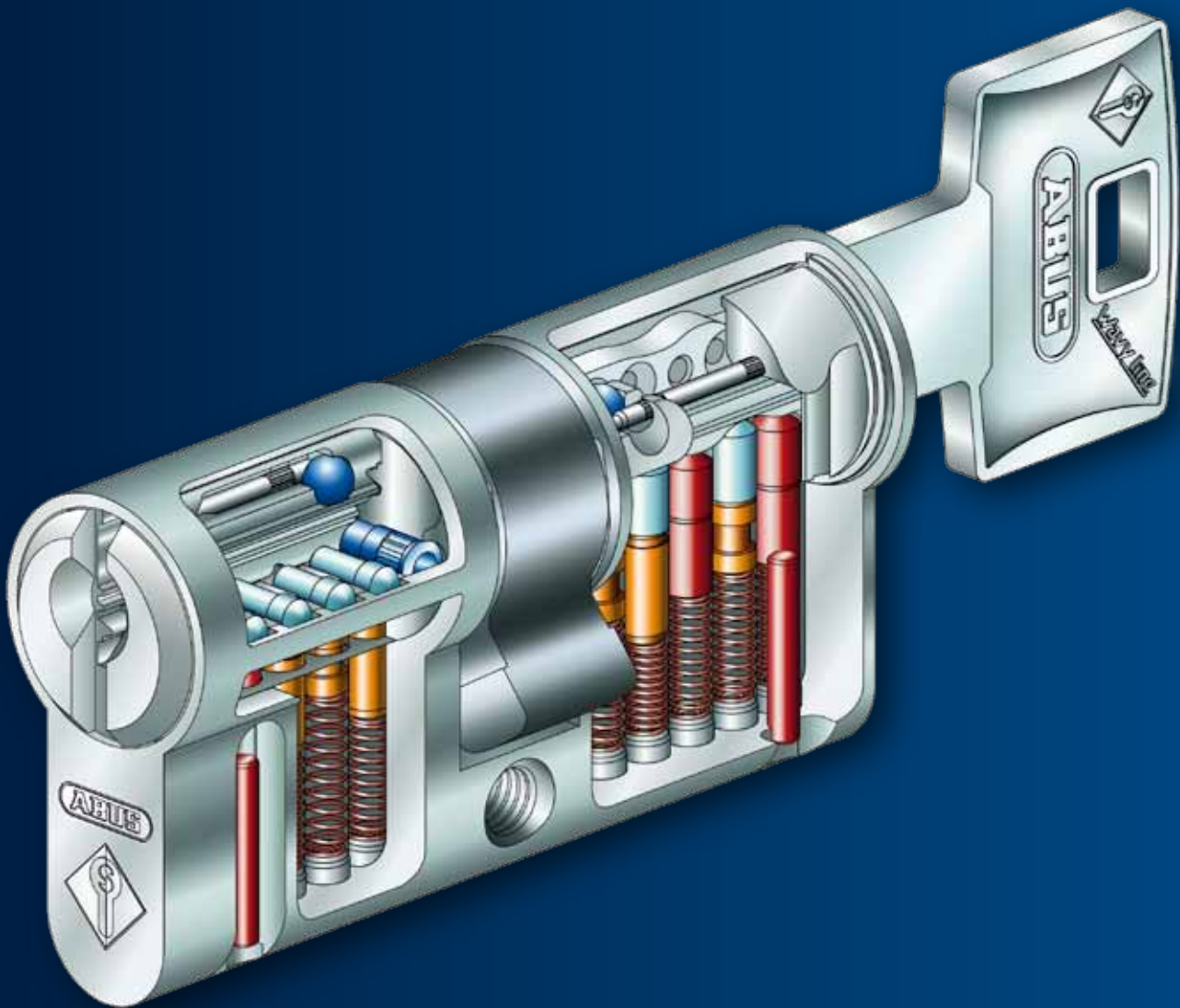




Security Tech Germany

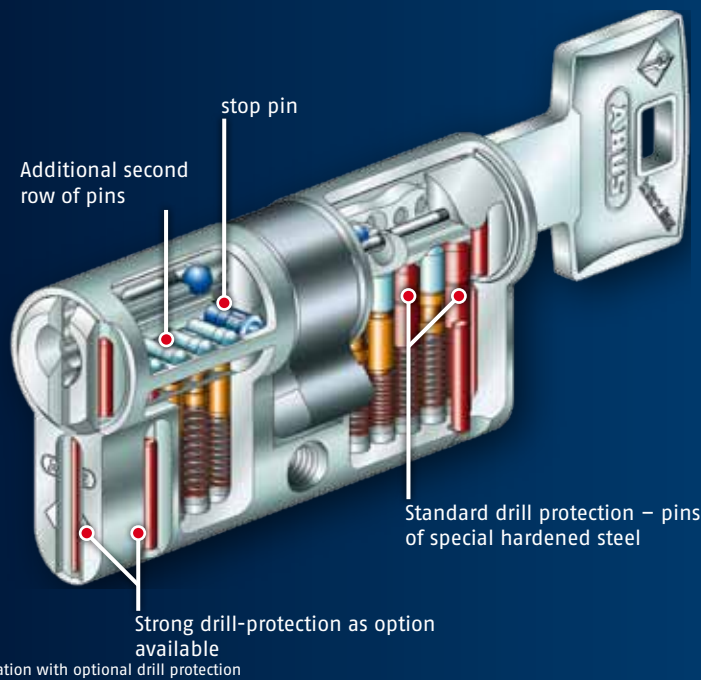
Wavy Line

Reversible key system with a waved code line

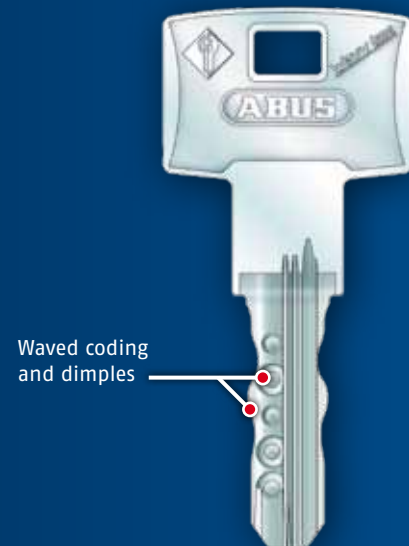


MADE IN GERMANY

System Wavy Line High security level and comfort



Cylinder illustration with optional drill protection



Authorization monitoring in three dimensions

- The first row of pins is activated by a 6-fold coded wavy line
- Additional lateral dimples in the second row of pins
- profile interrogation by stop pin

Internal key stopper

- The special blocking slot offers an additional technical protection against copying



- If the blocking slot is missing the key cannot be inserted completely into the cylinder core and cannot open the cylinder

Types of drill protection

Standard drill protection

- two housing and core pins per locking side made of hardened special steel

Increased drill protection

- as supplement to our standard drill protection
- two hardened steel pins are additionally inserted into the cylinder core and housing on each cylinder side

Strong drill protection

- two hardened steel pins are additionally inserted into the cylinder core and housing as well as one additional carbide pin on the front side of each cylinder side

System benefits

- Up to 10 active locking elements combined with the blocking ball offer a high level of key security
- Reversible key system ensures easy handling
- Upright key insertion
- Solid and stylish key design
- 14 mm core diameter
- Patented locking technique provides legal protection against copying
- Profile cylinders are manufactured according to DIN EN 1303 and DIN 18252 and ISO 9001:2008





Security Tech Germany

International product range

Cylinders in America are different to cylinders in Germany and the locking systems in Asia are different to those in Europe. Our product range comprises many samples of "Made in Germany" cylinders that are specifically designed for use in multinational markets.



Special features for your individual locking system

Drill and pull protection

Different options are available

Special numbering

For the individual marking of the cylinder and key

Electronic locking system

Compatible with electronic locking systems of the ABUS group

Emergency feature

Cylinder can be operated from one side even if there is a key inserted in the other side.

Free-wheel cam

Panic feature where a free-wheeling cam is required when keys are not inserted.

Salt-water resistant cylinders

Corrosion resistance according to DIN 50 021-SS

Further special equipments

Of course, other features are also available.

Please contact us.



Security Tech Germany

Security you can trust

The marine museum OZEANEUM in Stralsund in Northern Germany is protected by a reversible key system of ABUS Pfaffenhain.



© Johannes-Maria Schlorke, 2008

Consulting and planning

Structured and thorough planning is the basis of a safe and functional locking system. We are pleased to consult on a suitable locking system that meets your particular requirements. Through our staff and partners we can provide help and assistance either by phone or directly on location.

Please contact us.

Contact

ABUS Pfaffenhain GmbH
Fabrikstraße 1
09387 Jahnsdorf
Germany

www.abus.com
export@abus-pfaffenhain.de

Export Department
Tel.: +49 3 72 96 713-264
Fax: +49 3 72 96 713-754



The good feeling of security

WRBEL27