



Security Tech Germany

SYSTEM VITESS™
SIMPLY
SECURE

CONVENTIONAL SYSTEM



Made in Germany

SIMPLY SECURE

VITESS™



HIGH SECURITY

The ViteSS locking system features technical copy protection, patent protection and trademark protection to ensure it meets your high security requirements. The innovative Intop system and special profile design provide reliable protection against illegal key copies and access effectively. The door will only open if the Intop systems in the cylinder and key match. The security card provides additional protection as this must be presented before additional cylinders and keys can be ordered.

TAILORED SOLUTION

The ViteSS intelligent locking system is precisely tailored to suit your individual needs. ABUS offers a complete, sophisticated modular kit so you can design a security solution specific to your building, customised down to the cylinder type, colour and special features. The master key system is tailor-made to meet your individual requirements. You can even create individual locking authorisations for each user.

SIMPLY SECURE

VITESS™

“MADE IN GERMANY” QUALITY

High-quality raw materials, high-precision manufacturing and ABUS' many years of experience in the cylinder industry mean that you can rest assured in the knowledge that your building is secure. The fact that the lock cylinders are developed and produced in Germany guarantees premium quality and a long service life.

READY FOR THE FUTURE

The Vitess system can be expanded at any time, giving you maximum flexibility through developments and changes. We can deliver expansion products for your locking system many years after installation.



SYSTEM VITESS™

In Detail

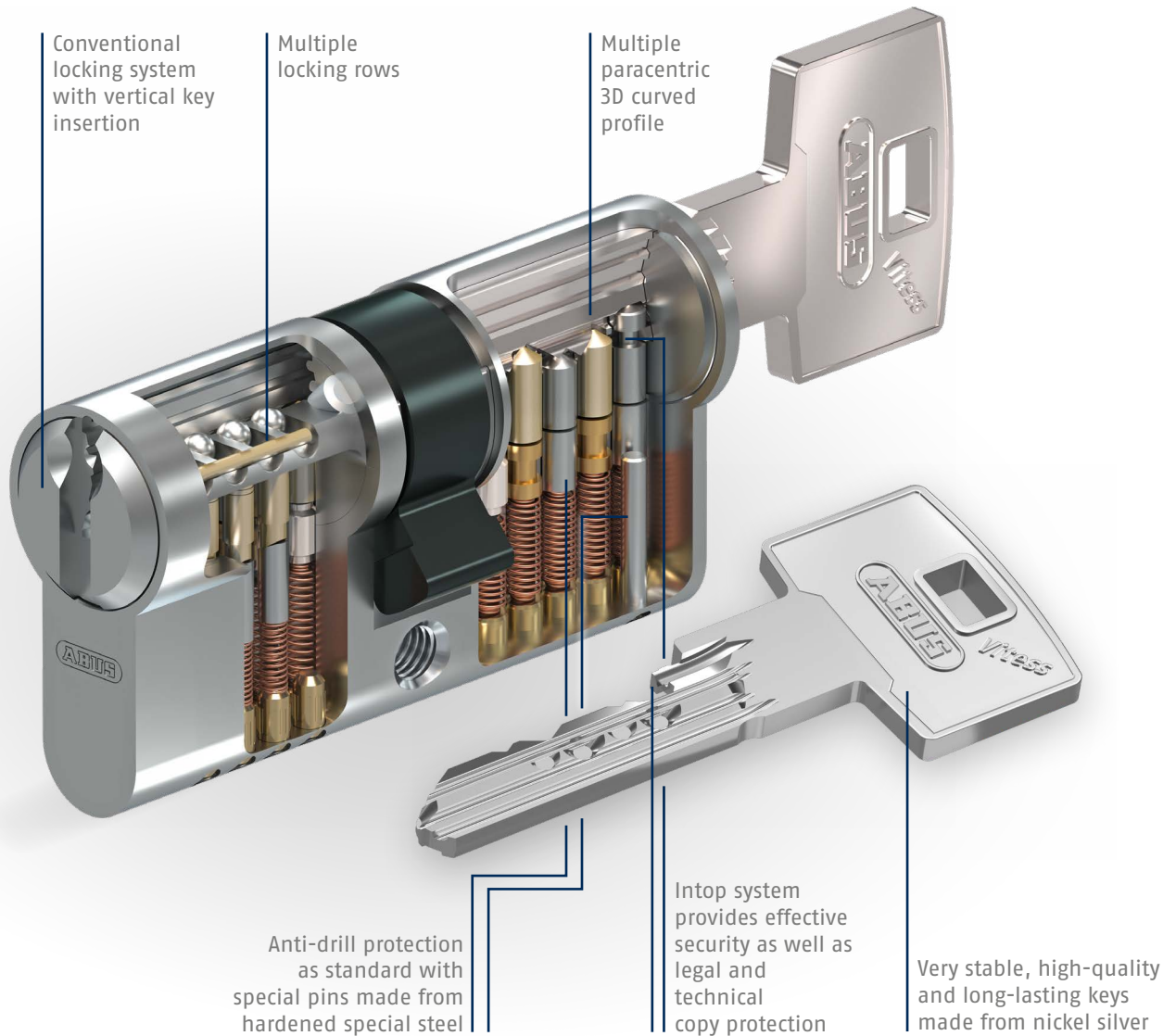
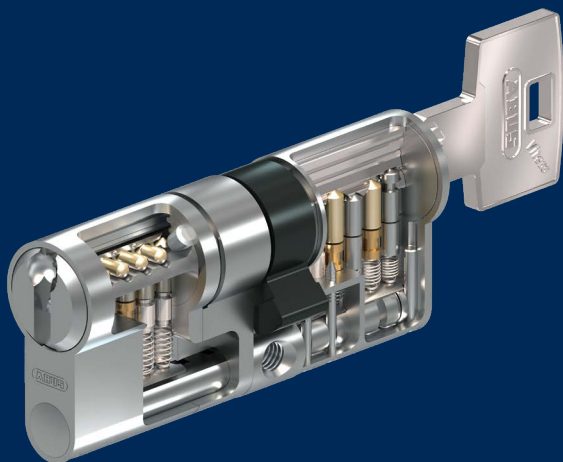


Figure shows an example of the system

SECURITY, HARD AS STEEL

VITESSTM MX



Anti-drill
protection



Anti-shatter
protection



Extraction
protection

SECURITY, HARD AS STEEL

The stainless steel elements inside the Vitesst MX cylinder provide iron clad security as standard. The stainless steel bar is the key component of the system and provides increased protection against breakage and extraction. The high-strength stainless steel anti-drill inlay and the hardened steel elements inside the cylinder offer increased protection against drilling.

MAXIMUM FLEXIBILITY

Moving?
Installing a new door?
Making changes to your organisational structure?
No problem! Modular cylinders allow you to adapt their lengths to suit your new door. So you can flexibly react to changes.

MIX AND MATCH

For maximum security and flexibility, choose Vitesst cylinders with modular MX technology. This allows modular cylinders to be combined with compact cylinders in one master key system, so the Vitesst range can meet any requirement you have for your building.

SYSTEM VITNESS™

Highlights



Drill protection

Due to special anti-drill pins made of hardened steel a manipulation of the cylinder becomes difficult.



Bumping protection

Cylinders with special design elements to protect against opening attempts by impacts or shocks.



One-key concept

Additional cylinders and cylinder types can be supplied for the same key.



Security card

Replacement keys and additional cylinders will only be made upon presentation of the security card.



Optional modular version

The cylinder has a flexible design and can be build to the desired length in a few simple steps.



Product certification

The cylinder has been tested according to the latest standard for EN 1303 as well as DIN 18252.

TECHNICAL DETAILS

Overview

System:	Vitess™
Key:	Stable, multiple paracentric key made from hard-wearing nickel silver
Key insertion:	Vertical
Patent protection:	✓
Trademark protection:	✓
Copy protection:	Intop System
Locking rows:	Up to 2
Total locking elements:	Upt o 6 an up to 4 spring loaded coding pins
Modular design:	Optionally available as MX version
Basic length:	30/30 mm and 28/32 mm for Euro profile double cylinders
Length increments:	Extensions available in 5 mm increments
Security card:	✓
Key related security:	Class 6 in accordance with DIN EN 1303, details available on request
Attack resistance:	Class B, Class D if special features anti-drill/extraction protection "BZD"
Fire resistance:	Class B, T90
Product certification:	Certified to DIN 18252 and DIN EN 1303 standards; Optional, e.g. SKG*** and VdS, details available on request
Manufacturer certification:	ISO 9001
Production:	Made in Germany

ABUS | Pfaffenhain GmbH
abus.com

Fabrikstraße 1
09387 Jahnsdorf
Germany
+49 37296 713-0
vertrieb@abus-pfaffenhain.de

Your specialist dealer:

