



Security Tech Germany

CORRECTLY MEASURING THE DOOR CYLINDER

Preparation:

Use the coin to check that your printout is scaled correctly. The dashed line must be visible as level as possible when the coin rests. If this is not the case, do not use the printed gauge, and check the settings of your printer.

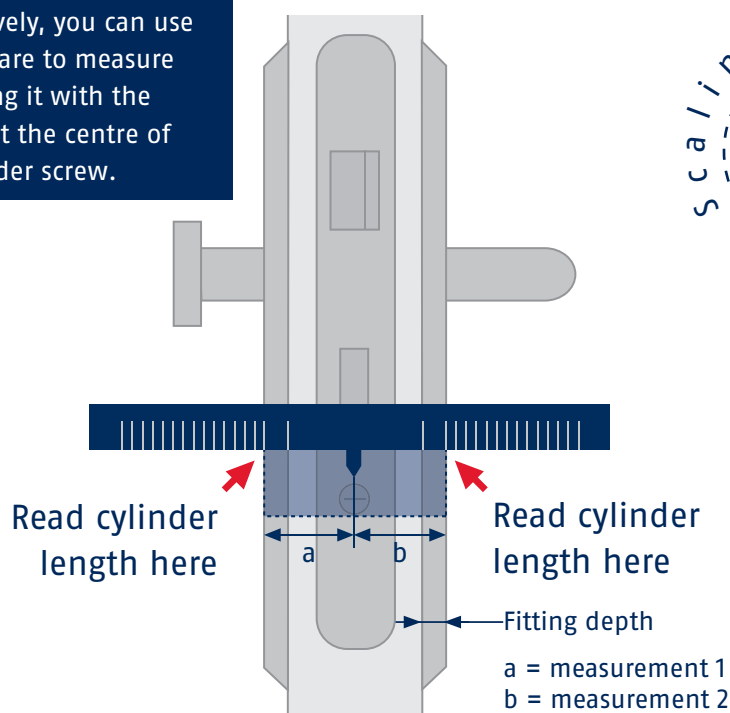
Measuring:

Align the gauge to the cylinder screw with the arrow in the middle. You are now able to determine the length of the cylinder. Measure the fitting depths of fittings that have already been installed.

Cylinder length = door thickness + fitting

Tip!

Alternatively, you can use a set square to measure by holding it with the 0 point at the centre of the cylinder screw.





Security Tech Germany



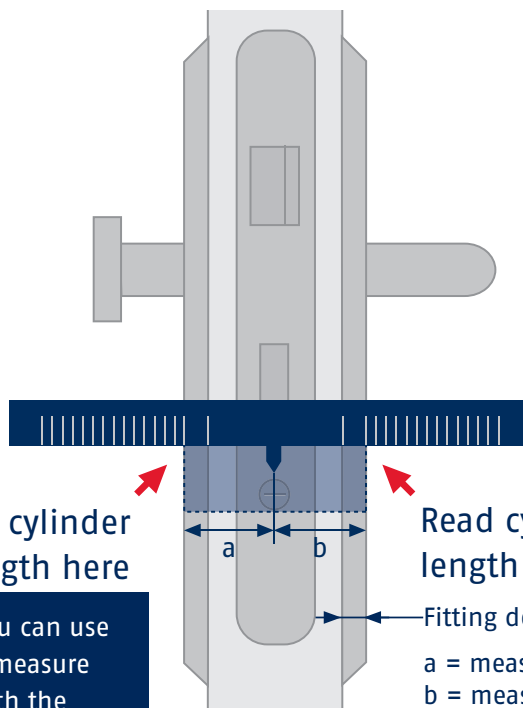
MEASURING DOOR CYLINDERS CORRECTLY

Preparation:

Use the coin to check that your printout is scaled correctly. The dashed line must be visible as level as possible when the coin rests. If this is not the case, do not use the printed gauge, and check the settings of your printer.

Measuring:

Align the gauge to the cylinder screw with the arrow in the middle. You are now able to determine the length of the cylinder. Measure the fitting depths of fittings that have already been installed.



Read cylinder length here

Read cylinder length here

Fitting depth

a = measurement 1
b = measurement 2

Tip!

Alternatively, you can use a set square to measure by holding it with the 0 point at the centre of the cylinder screw.

