



Security Tech Germany

SAFETY DEVICE

SWITCH LOCKOUT



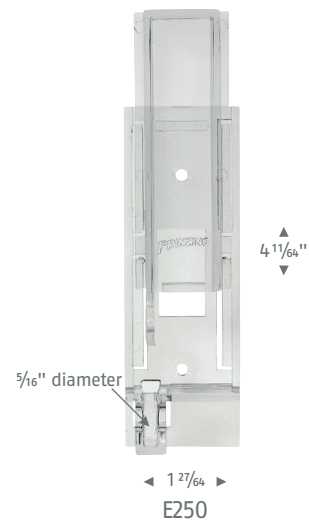
Easy and Convenient

The switch lockout device blocks access to wall switches during maintenance. The device is clear so workers can see which position the switch is in. The unique sliding mechanism uses no hinges which makes the device more robust and less likely to break accidentally.

Key Features

- Made from high-quality polycarbonate housing: long-lasting and robust
- Easy installation: Remove the screws from the wall switch plate and use them to mount the device onto the plate
- Sliding mechanism makes the device very easy to use
- Offers extra durability with hinge-less design
- Holds 1 padlock with up to 5/16" shackle diameter

Specifications



Item	Holds #Locks
E250	1